

8

7

6

5

4

3

2

1

F

E

D

C

B

A

F

E

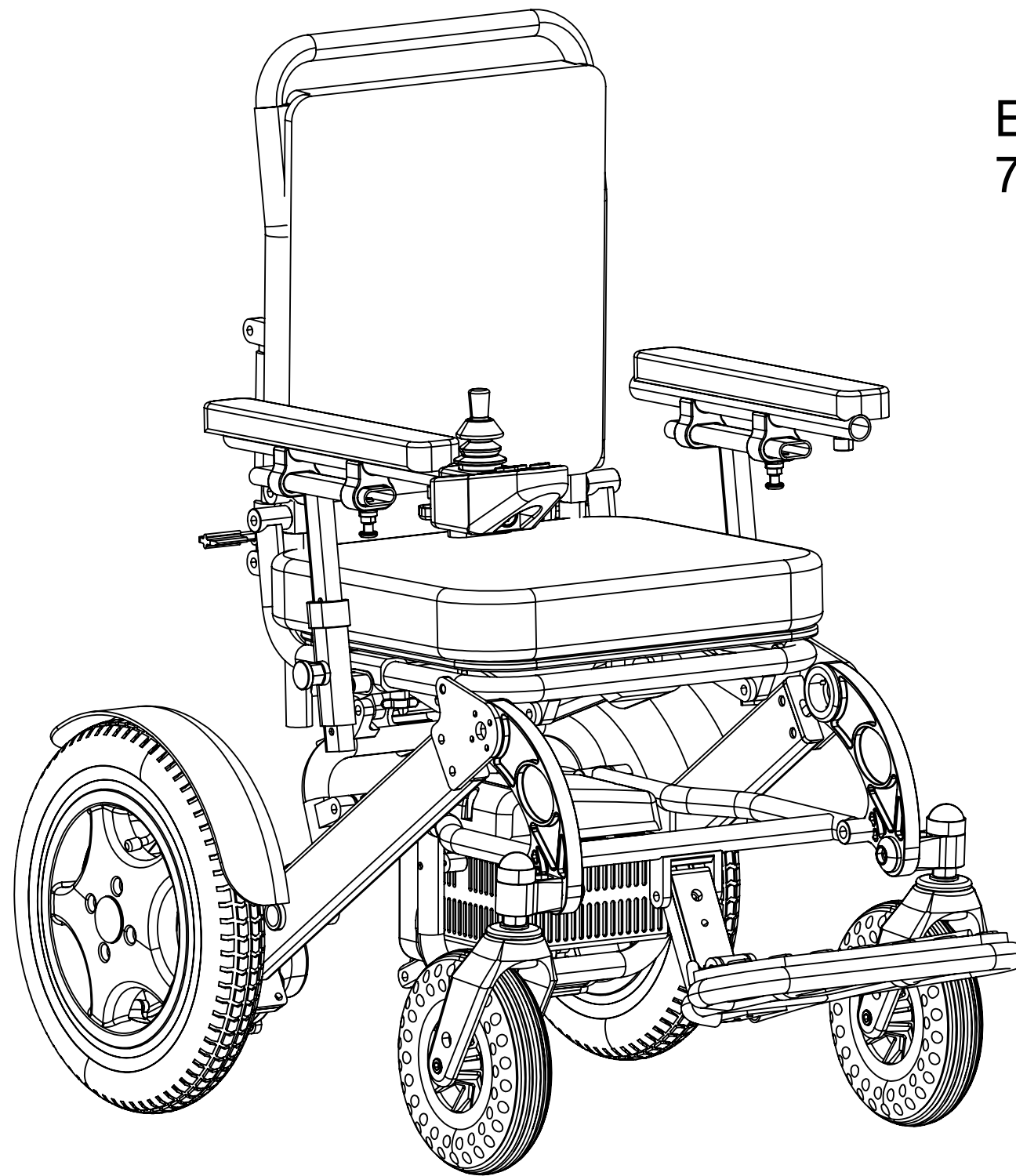
D

C

B

A

The reproduction, distribution and utilization of this document as well as the communication of its contents without express authorization from Eloflex AB is prohibited. Offenders will be held liable for the payment of damages.



ELOFLEX K

7350006084737

Project:	Material:	Weight: 25402.06 g	Unless otherwise stated: Remove sharp edges 0.15mm. Surface finish Ra 3,2		General Tolerance SS ISO 2768-01
	Surface Treatment 1:	Design: FBG	Date: 2023-03-24		Scale: 1:20
	Surface Treatment 2:	Checked: JA	Date: 2023-03-27		Sheet: 1 (6)
Description: Eloflex K		Drawing no.: 7350006084737	Revision: A		

8

7

6

5

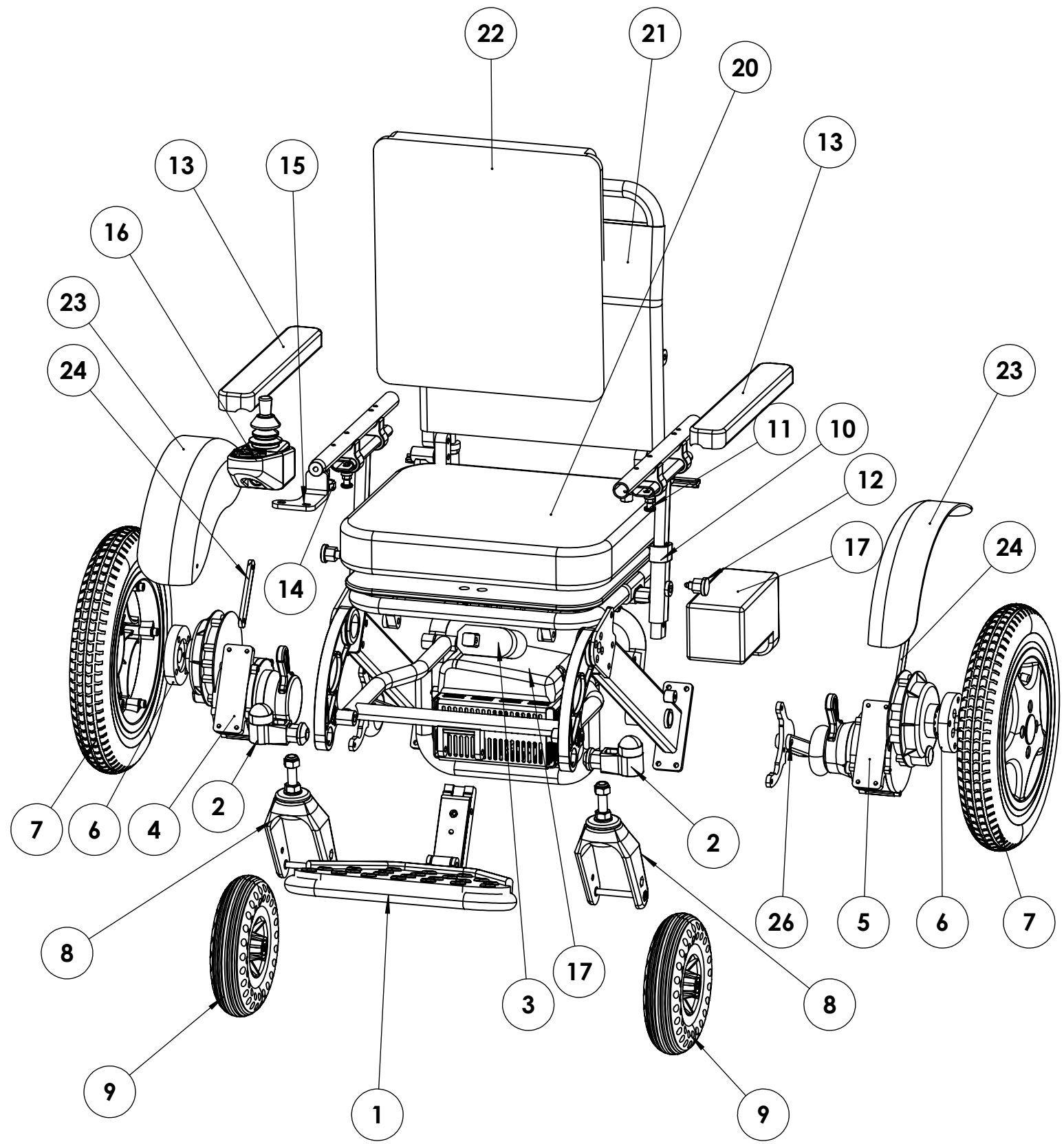
4

3

2

1

The reproduction, distribution and utilization of this document as well as the communication of its contents without express authorization from Eloflex AB is prohibited. Offenders will be held liable for the payment of damages.



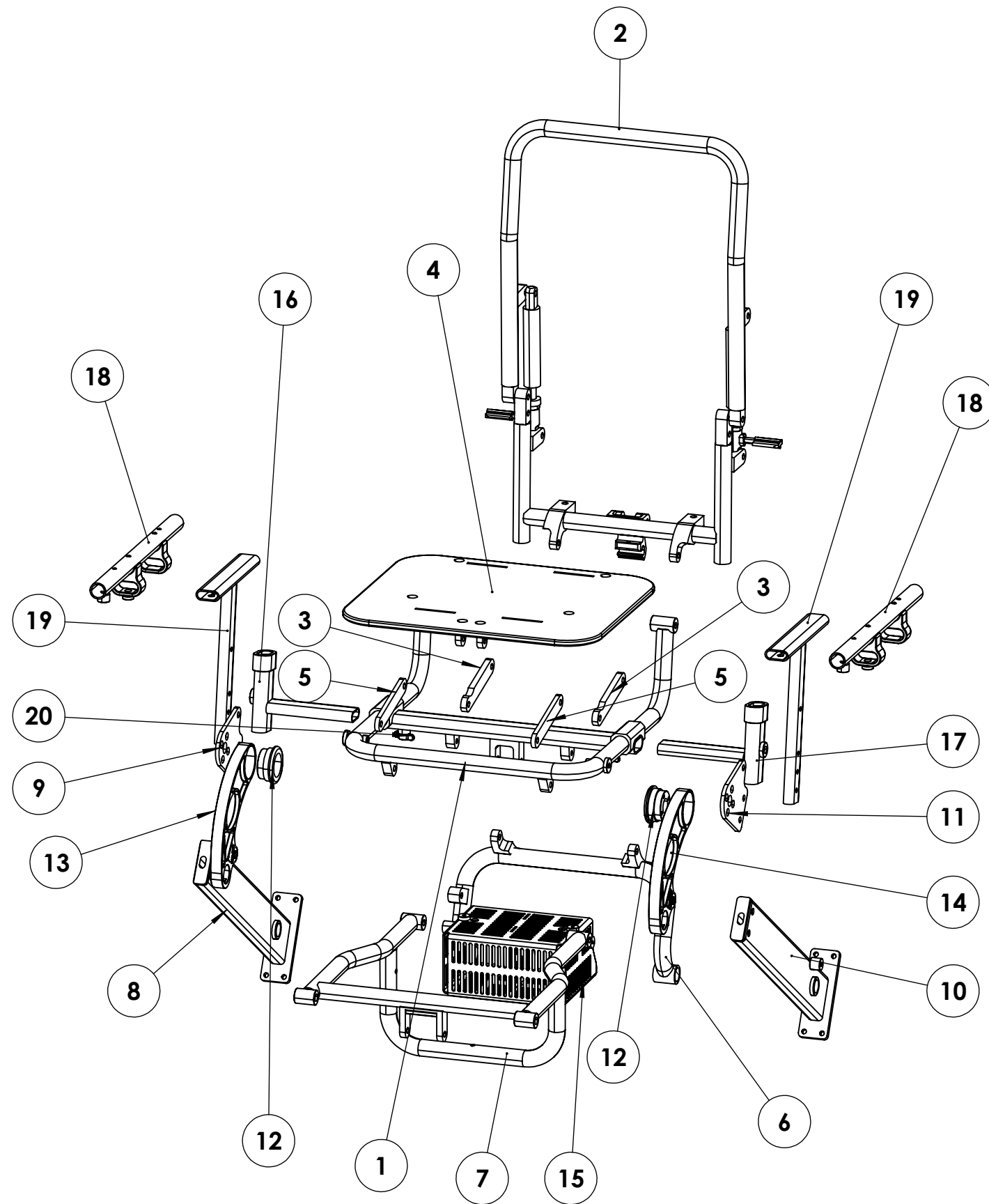
Pos 1 se sida 4 (See page 4)
 Pos 2 se sida 5 (See page 5)
 Pos 7 se sida 5 (See page 5)
 Pos 9 se sida 5 (See page 5)

ITEM NO.	PART NUMBER	Description	QTY.
1	7350006085604	Fotstödsplatta K komplett	1
2	7350006085789	Länkhjulshållare komplett	2
3	7350006085611	Stegmotor K	1
4	7350006085574	Motorkit K Höger	1
5	7350006085581	Motorkit K Vänster	1
6	7350006081064	Distanspuck motor	2
7	7350006080258	Drivhjul 12" Standard (luft svart)	2
8	7350006083099	Framgaffel Modell P,F,X,L kpl	2
9	7350006080227	Länkhjul 8" gel komplett	2
10	7350006085772	Busning Armstöd	2
11	7350006085406	Inställnings bult armstöd Hö/Vä	2
12	7350006085444	Inställningsbult Armstöd nedre	2
13	7350006080319.	Armstödsplatta HÖ/VÄ	2
14	7350006082979	Stärnvred M6 tapp 15mm	1
15	7350006080890	Joystickfäste Modell L, L-plus, F, X	1
16	7350006083198	Joystick	1
17	7350006080111	Batteri Lithium-ion 24V 10AH	2
18	7350006081040	Kontrollbox standard	1
19	7350006085635	Inställningsbult Armstödsbreddnign	2
20	7350006085345	Dyna Standard K 38x35x6	1
21	7350006085819	Ryggrams tyg	1
22	7350006085369	Dyna Ryggstöd K	1
23	7350006080180	Bakskärm L+,F,X,P,D2	2
24	7350006085826	Stag bakskärm K	2
25	7350006085734	Tipphjul H Komplet	1
26	7350006085741	Tipphjul V Komplet	1

CABLES	Partnumber	ANTAL
Joystick till Kontrollbox	7350006080838	1
Kabel kontrollbox till battery 4 pin/ Ställdon	7350006083426	1
Kabel mellan Batterier	7350006080371	1

Project:	Material:	Weight: 25402.06 g	Unless otherwise stated: Remove sharp edges 0.15mm. Surface finish Ra 3,2		General Tolerance SS ISO 2768-01
	Surface Treatment 1:	Design: FBG	Date: 2023-03-24		Scale: 1:20
	Surface Treatment 2:	Checked: JA	Date: 2023-03-27		Sheet: 2 (6)
Description: Eloflex K		Drawing no.: 7350006084737		Revision: A	

The reproduction, distribution and utilization of this document as well as the communication of its contents without express authorization from Eloflex AB is prohibited. Offenders will be held liable for the payment of damages.

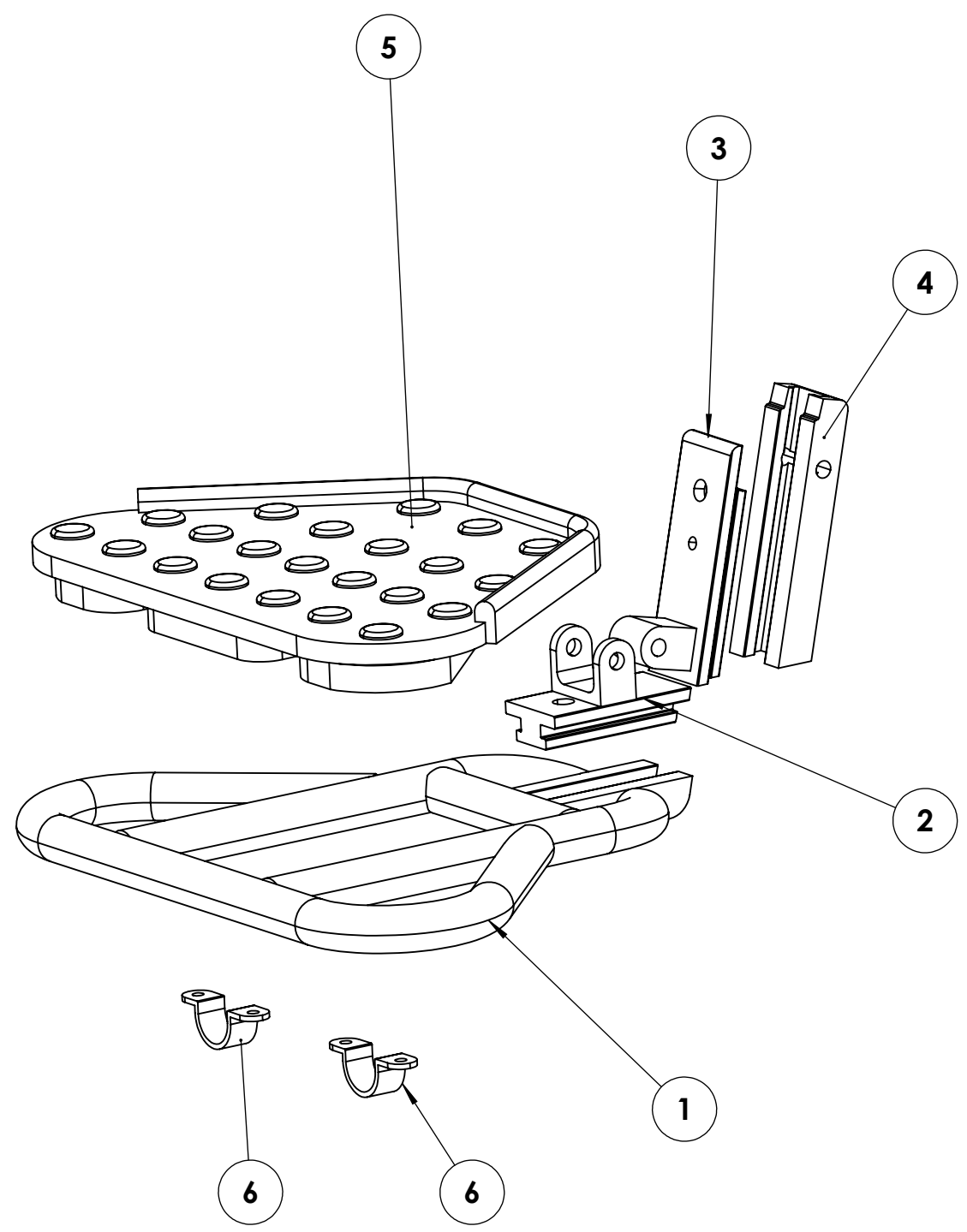


ITEM NO.	PART NUMBER	Description	QTY.
1	7350006085451	Chassi sits	1
2	7350006085352	Ryggstöd komplett K	1
3	7350006085710	Länk Stegmotor Bakre	2
4	7350006085468	Platta sits	1
5	7350006085727	Länk Stegmotor Främre	2
6	7350006085628	Chassilänk Nedre Ryggstöd	1
7	7350006085642	Chassi Nedre Ram	1
8	7350006085499	Tvärbalk Höger	1
9	7350006085475	Knäledsplatta Höger	1
10	7350006085505	Tvärbalk Vänster	1
11	7350006085482	Knäledsplatta Vänster	1
12	7350006085567	Cylinder Knäled	2
13	7350006085512	Knäled Höger	1
14	7350006085529	Knäled Vänster	1
15	7350006085659	Batteribur	1
16	7350006085420	Chassidel armstöd Nedre Hö	1
17	7350006085437	Chassidel Armstöd Nedre Vä	1
18	7350006085390	Armstödsrör Komplet Hö/Vä	2
19	7350006085413	Chassidel Armstöd Övre Hö/Vä	2
20	7350006085635	Inställningsbult Armstödsbreddnign	2

Pos 2 se sida 6 (See page 6)


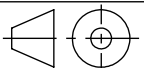
Project:	Material:	Weight: 25402.06 g	Unless otherwise stated: Remove sharp edges 0.15mm. Surface finish Ra 3,2		General Tolerance SS ISO 2768-01
	Surface Treatment 1:	Design: FBG	Date: 2023-03-24		Scale: 1:20
	Surface Treatment 2:	Checked: JA	Date: 2023-03-27		Sheet: 3 (6)
	Description: Eloflex K	Drawing no.:	7350006084737		Revision: A

The reproduction, distribution and utilization of this document as well as the communication of its contents without express authorization from Eloflex AB is prohibited. Offenders will be held liable for the payment of damages.



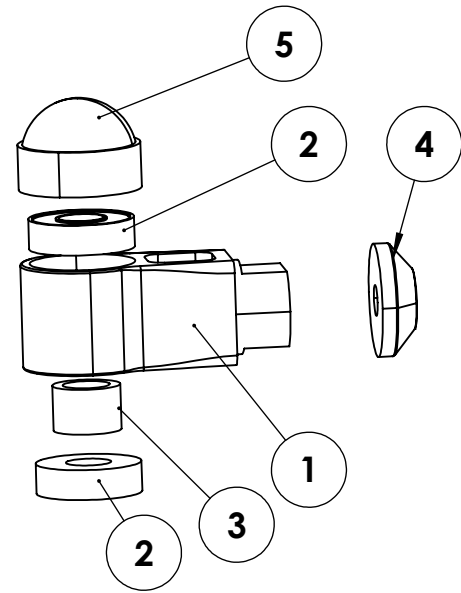
7350006085604

ITEM NO.	PART NUMBER	Description	QTY.
1	7350006085673	Nedre del fotplatta ställbar	1
2	7350006085680	Nedre del fotplatta fast	1
3	7350006085697	Övre del fotplatta ställbar	1
4	7350006085703	Övre del fotplatta fast	1
5	7350006080340	Gummiplatta fotstöd Modell L, F, P,D2	1
6	7350006082696	Bygel fotplatta plast	2

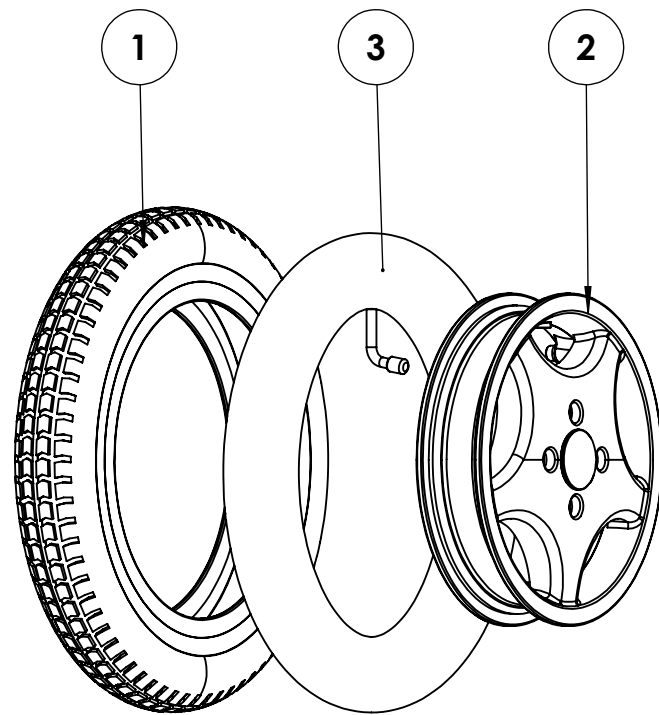
Project:	Material:	Weight: 25402.06 g	Unless otherwise stated: Remove sharp edges 0.15mm. Surface finish Ra 3,2		General Tolerance SS ISO 2768-01
	Surface Treatment 1:	Design: FBG	Date: 2023-03-24		Scale: 1:20
	Surface Treatment 2:	Checked: JA	Date: 2023-03-27		Sheet: 4 (6)
	Description: Eloflex K	Drawing no.: 7350006084737	Revision: A		

The reproduction, distribution and utilization of this document as well as the communication of its contents without express authorization from Eloflex AB is prohibited. Offenders will be held liable for the payment of damages.

7350006085789

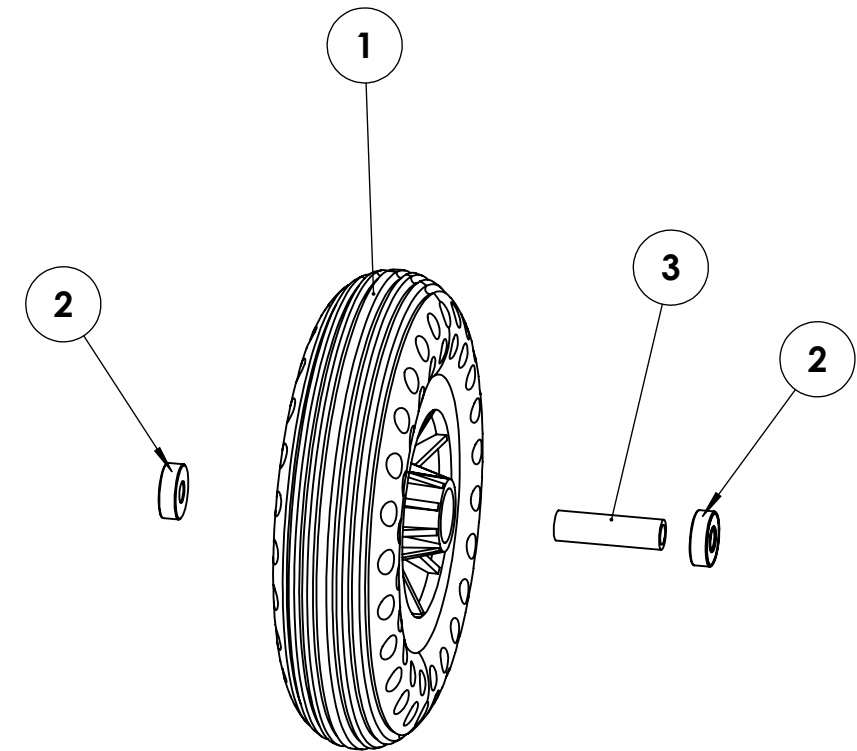


ITEM NO.	PART NUMBER	Description	QTY.
1	7350006085543	Länkhjulshållare Hö/Vä	1
2	7350006080296	Lager länkhjulshållarhus 28/12 mm	2
3	7350006085796	Lagerdistans Länkhjulshållare K	1
4	7350006085536	Mothållsbricka Länkhjulshållare	1
5	7350006085550	Skyddkåpa Länkhjulshållare	1



7350006080258

ITEM NO.	PART NUMBER	Description	QTY.
1	7350006080593	Däck 12" standard	1
2	7350006081545	Fälg 12"	1
3	7350006080609	Innerslang 12"	1

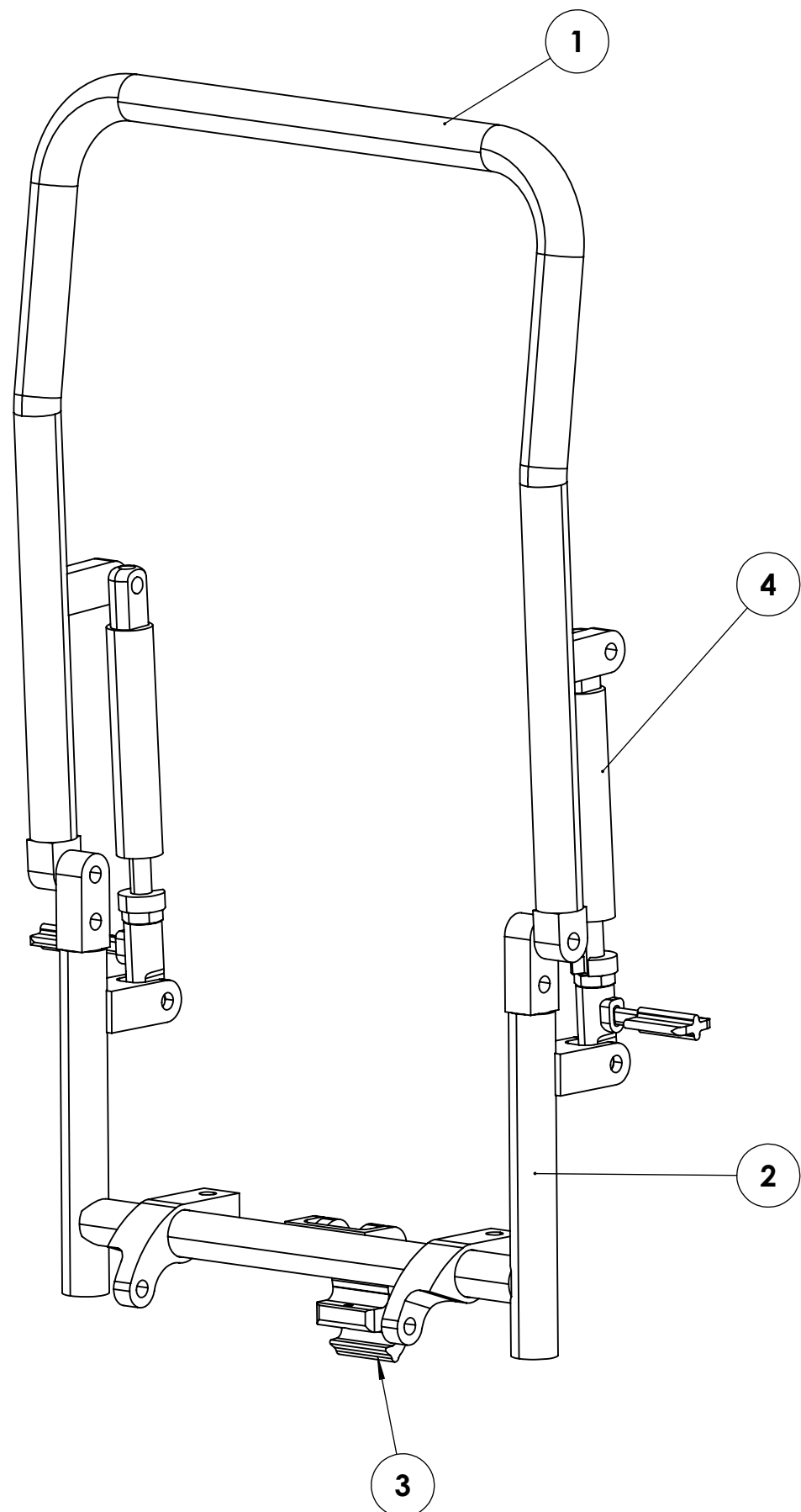


7350006080227

ITEM NO.	PART NUMBER	Description	QTY.
1	7350006085802	Däck Gel 8"	1
2	7350006080302	Lager länkhjulshus 22/8 mm	2
3	7350006082870	Distandrör Alu 12x8x43	1

Project:	Material:	Weight: 25402.06 g	Unless otherwise stated: Remove sharp edges 0.15mm. Surface finish Ra 3,2		General Tolerance SS ISO 2768-01
	Surface Treatment 1:	Design: FBG	Date: 2023-03-24		Scale: 1:20
	Surface Treatment 2:	Checked: JA	Date: 2023-03-27	Sheet: 5 (6)	Format: A3
	Description: Eloflex K	Drawing no.: 7350006084737	Revision: A		

The reproduction, distribution and utilization of this document as well as the communication of its contents without express authorization from Eloflex AB is prohibited. Offenders will be held liable for the payment of damages.



7350006085352

ITEM NO.	PART NUMBER	Description	QTY.
1	7350006085765	Ryggstöd Övre chassi	1
2	7350006085758	Ryggstöd Nedre chassi	1
3	7350006085598	Låshake Självlåsande	1
4	7350006085383	Gasdämpare Ryggstöd	2

Project:	Material:	Weight: 25402.06 g	Unless otherwise stated: Remove sharp edges 0.15mm. Surface finish Ra 3,2		General Tolerance SS ISO 2768-01
	Surface Treatment 1:	Design: FBG	Date: 2023-03-24		Scale: 1:20
	Surface Treatment 2:	Checked: JA	Date: 2023-03-27		Sheet: 6 (6)
	Description: Eloflex K	Drawing no.: 7350006084737	Revision: A		